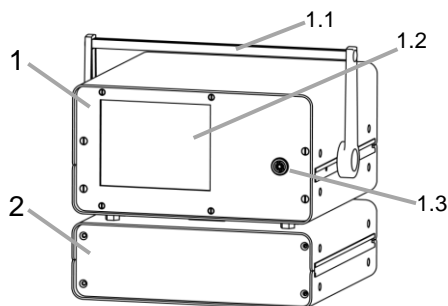
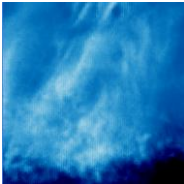
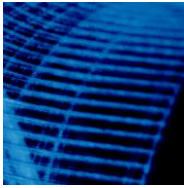


## Selected technical information and data

- Unique gas leak detector for different gases, e.g. H<sub>2</sub>, CO<sub>2</sub> as well as selected refrigerants,
- Portable, compact and robust metal case,
- Integrated rechargeable battery pack for mains independent mobile and/or stationary operation,
- Separate docking station for charging, power supply for stationary operation as well as additional ports for data transfer and power switching,
- PC-based system with graphical touchscreen user interface for simple and intuitive operation,
- Many helpful software options, e.g. for displaying of detection data / results, data-logging, configuration, calibration, service, ...,
- Specific changeable active sensor probes:
  - Robust metal handheld,
  - Gas detection by integrated specific gas sensors based on UST's Metal-oxide-semiconductor or photo-acoustic functional principles,
  - Suction of the gas/gas mixture to be tested,
- LCD and 4 functional keys for external control of various detector functions,
- Simply and quick exchange of a sensor probe by using combined electro-pneumatic connection line (standard length 6 m) with quick connectors between probe and base unit.
- Modular scalable system concept for order-related realization of customized solutions,
- Possible fields for application:
  - Pipe line construction, gas installation, HVAC installation,
  - Building automation – services on climate systems,
  - Automotive industry and services - installation, check and service for car air conditioners.
- Possible additional applications of customized solutions, e.g. in energy, environmental, safety and process engineering (detection of selected specific contaminations, pollutions, gas emissions etc.).



- 1 ... ILD.3000 – Basic unit
- 1.1 ... Carrying handle
- 1.2 ... Touch-Screen
- 1.3 ... Socket for electro-pneumatic connection line to sensor probe
- 2 ... Docking unit

UST Umweltsensortechnik GmbH  
is certified according to



## Selected technical information and data

### ILD.3000 - Base unit

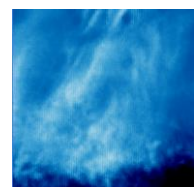
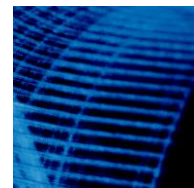
<b>Time from startup to operational readiness</b>	< 120 sec (varies by probe)
<b>Response time (varies by sensor)</b>	1 - 2 sec (varies by probe)
<b>Indicator/display/controls</b>	5,7" full colour Touch Screen TFT
<b>Acoustic signaling</b>	intermittent signal tone (frequency is proportional to concentration, continuous tone when threshold value is reached/exceeded), volume can be adjusted/switched off, min. (85dB@100cm)
<b>Interfaces</b>	2 x USB 2.0
	RS232 bidirectional (Baud rate: 115.200, data bits: 8, parity: none, stop bit: 1) e.g. for controlling external printers
	Mini-jack plug, 3.5 mm, for headphones/earphones or active speaker
<b>Power supply (stationary)</b>	by docking unit only
<b>Power supply (mobile)</b>	
<b>Rechargeable batteries</b>	Pb-Gel (integrated rechargeable battery pack)
<b>Service life (use with rechargeable batteries)</b>	≥ 3 hours (with fully charged batteries)
<b>Charging</b>	Charging only in base unit by docking unit, $\mu$ C-controlled charge procedure, indicator for charging and charging status via TFT display
<b>Charging time</b>	ca. 8 hours
<b>Permissible operating temperature / humidity</b>	0 °C - +55 °C / 20... 80% r. H.
<b>Permissible storage temperature / humidity</b>	-25 °C - +70 °C / 20... 80% r. H.
<b>Permissible conditions for transport and storage</b>	The areas and environments for transport and storage of the device must be free of any impurities and contaminants, and in particular must be protected from the influence of chemical substances, e.g. silicone. <sup>1)</sup>
<b>Dimensions (Base unit) length x width x height</b>	ca. 262 mm x 292 mm x 174 mm
<b>Net weight (Base unit)</b>	ca. 6,250 kg (without probe and connection line)
<b>Conformity</b>	2011/65/EU: Restriction of the use of Hazardous Substances Directive (RoHS)

### ILD.3000 - Docking unit

<b>Interfaces</b>	1 x USB 2.0
	1 x 8pin plug connector with 4 switching outputs (max. 1 A / 125 VAC) - optional
<b>Permissible operating temperature / humidity</b>	0 °C - +55 °C / 20... 80% r. H.
<b>Permissible storage temperature / humidity</b>	-25 °C - +70 °C / 20... 80% r. H.
<b>Permissible conditions for transport and storage</b>	The areas and environments for transport and storage of the device must be free of any impurities and contaminants, and in particular must be protected from the influence of chemical substances, e.g. silicone. <sup>1)</sup>
<b>Power supply (Docking unit)</b>	100 V - 240 V, 50/60 Hz
<b>Power consumption (Docking unit)</b>	Max. 100 W (incl. optional switching outputs)
<b>Dimensions (Docking unit) length x width x height</b>	ca. 262 mm x 292 mm x 110 mm
<b>Net weight (Docking unit)</b>	ca. 2,450 kg (without power cable)
<b>Conformity</b>	2011/65/EU: Restriction of the use of Hazardous Substances Directive (RoHS)

### ILD.3000 - Base unit applied on docking unit

<b>Dimensions base unit on docking unit (length x width x height)</b>	ca. 262 mm x 292 mm x 265 mm
<b>Net weight (base unit and docking unit)</b>	ca. 8.7 kg (without probe and connection line)



UST Umweltsensortechnik GmbH  
is certified according to



## Selected technical information and data

### ILD.3000 - Probes

Product description	H <sub>2</sub> -Probe	CO <sub>2</sub> -R744 Probe	Refrigerant-Probe
<b>Detectable gases</b>	5/95 H <sub>2</sub> /N <sub>2</sub> Tracer-gas / H <sub>2</sub>	CO <sub>2</sub> / R744	R22, R290 <sup>1)</sup> , R134a, R404A, R407C, R410A, R600a <sup>1)</sup>
<b>Lower detection threshold value</b>	1 ppm	100 ppm	10 ppm
	~R134a: 1 g/year with 5/95 H <sub>2</sub> /N <sub>2</sub> Tracer-gas	3 g/year	0,3 g/year <sup>2)</sup> 0,1 g/year
<b>Upper detection value</b>	10000 ppm, up to LEL H <sub>2</sub>	10 Vol%, optional up to 100 %	R22: 500 ppm; R290: 10.000 ppm; R134a, R404A, R407C, R410A: 3000 ppm; R600a: 10000 ppm
<b>Response time</b>	< 1 sec	< 2 sec	< 1 sec
<b>Dimensions</b> (probe without flexible sensor extension)	ca. 192 mm x 40 mm x 28 mm	ca. 180 mm x 54 mm x 28 mm	ca. 192 mm x 40 mm x 28 mm
<b>Dimensions</b> (probe with flexible sensor extension)	ca. 522 mm x 40 mm x 28 mm	ca. 510 mm x 54 mm x 28 mm	ca. 522 mm x 40 mm x 28 mm
<b>Net weight</b> (probe with flexible sensor extension)	ca. 295 g	ca. 410 g	ca. 295 g
<b>Electro-pneumatic connection line</b>	for electrically and pneumatic connection of a above mentioned probe to the base unit by quick connectors		
<b>Length</b> (connection line)	ca. 6 m (standard)		
<b>Net weight</b> (connection line)	ca. 430 g		
<b>Permissible operating temperature / humidity</b>	0 °C - +55 °C / 20... 80% r. H.		
<b>Permissible storage temperature / humidity</b>	-25 °C - +70 °C / 20... 80% r. H.		
<b>Permissible conditions for transport and storage</b>	The areas and environments for transport and storage of the device must be free of any impurities and contaminants, and in particular must be protected from the influence of chemical substances, e.g. silicone. <sup>1)</sup>		
<b>Conformity</b>	2011/65/EU: Restriction of the use of Hazardous Substances Directive (RoHS)		

#### <sup>1)</sup> Remark:

Improper application may cause damaging the device, the probes and/or the integrated gas sensor/s. In particular directly contact with substances containing, silicones, sulfurous substances or non-desorbing inorganic components or contaminations (e.g. smoke, fumes, oils, greases or evaporating liquids) may cause damaging the sensor or to changes in the sensor resistance and/or in the sensor characteristics. Possible consequences can be display of incorrect concentration values, of background concentrations or non-display of existing concentrations by the device.



Variant probe case (similar to figure)

UST Umweltsensortechnik GmbH  
is certified according to



#### Patents:

DE102004060101 B4 / DE102006033528 B3 / EP1602924 B1 / DE19957364 B4 / DE102010003966 B3

UST Triplesensor<sup>®</sup> is a registered trademark of UST Umweltsensortechnik GmbH, Dieselstr. 2 und 4, 98716 Geschwenda, Germany